

**airofog<sup>®</sup>**  
**USA**



**603-000-010**

***Flexi-pro  
Aerosol Delivery  
System (FADS) Manual***

# Troubleshooting

## About

Airofog USA Flexi-pro Aerosol Delivery System is able to adapt to a variety of traditional handheld aerosol cans to apply solvent or water based insecticides. Its unique 6in long flexible wand allows for greater reach into tight spots and low lying areas. In addition, with the high grade stainless steel tip comes in different lengths to suit any need (5in-20in). FADS also has interchangeable nozzle options from fine aerosol to coarse spraying to cover all possible angles of application.

## Troubleshooting

**Problem** When FADS is removed from the aerosol can, insecticide is released from top of can

**Solution**

- Turn off valve then make the last application with the valve off, this will reduce pressure and empty coiled hose

**Problem** Leaking around cap or extension

- Solution**
- Check to see cap is properly tightened
  - Replace cap or extension if cracked
  - Certain aerosols contain strong solvents that can damage Viton

## Airofog Guarantee

Airofog USA guarantees the Benjamin Aerosol System to be free of defects in materials and workmanship to the original purchaser for a period of one(1) year on labor and parts which are not subject to usual wear. During this period, AIROFOG USA will replace and/or repair the parts and manufacturer faults on the exclusive judgment of our technical department free of charge.

**Shipping and dispatch of defect equipment will be at original purchaser's expense**

Guarantee does not cover damages occurred during transport or by incorrect handling, tampering, use, or the use of non-recommended products and so on.

Under no circumstances will AIROFOG USA be liable for damages due to improper use or application.

Under no circumstances will AIROFOG USA be responsible for damages to any persons or property.



Airofog USA  
15074 Aviation Loop Drive  
Brooksville, FL 34604  
USA

+1-352-593-5152  
airofog@airofogusa.com  
www.airofogusa.com

# Safety & Maintenance

*Flexi-pro Aerosol Delivery Systems referred to in this document are designed for use by qualified and experienced personnel. Please read this instruction thoroughly before usage.*

## **Safety Measurements**

- Keep out reach of children
- Do not spray at anyone or yourself
- Keep FADS away from flames or sharp edges that can damage the hose
- Do not operate the FADS if there are visible symptoms of a problem
- Do not attach or spray if the aerosol can is leaking
- Wear personal protective equipment (PPE) when handling dangerous substances
- Follow label instructions of aerosol cans
- Never spray into electric outlets or cable boxes
- When using the metal extension close to electrical outlets, pay close attention to avoid shock hazard
- Never blow with mouth through clogged nozzles, valves, or tips
- When FADS is not in use, turn valve to “off” (horizontal) position then release the remained pressure out of the system
- Before repair and maintenance, disconnect the FADS from aerosol can and release residues from the system to an approved location
- When unscrewing FADS, do not point tip at others or yourself
- Always replace damaged or malfunctioning parts immediately

## **Caution**



It is the operator's responsibility to ensure the safe use of the sprayer and that they're fully compliant with national or local regulations governing compression sprayer and applications of pesticides.



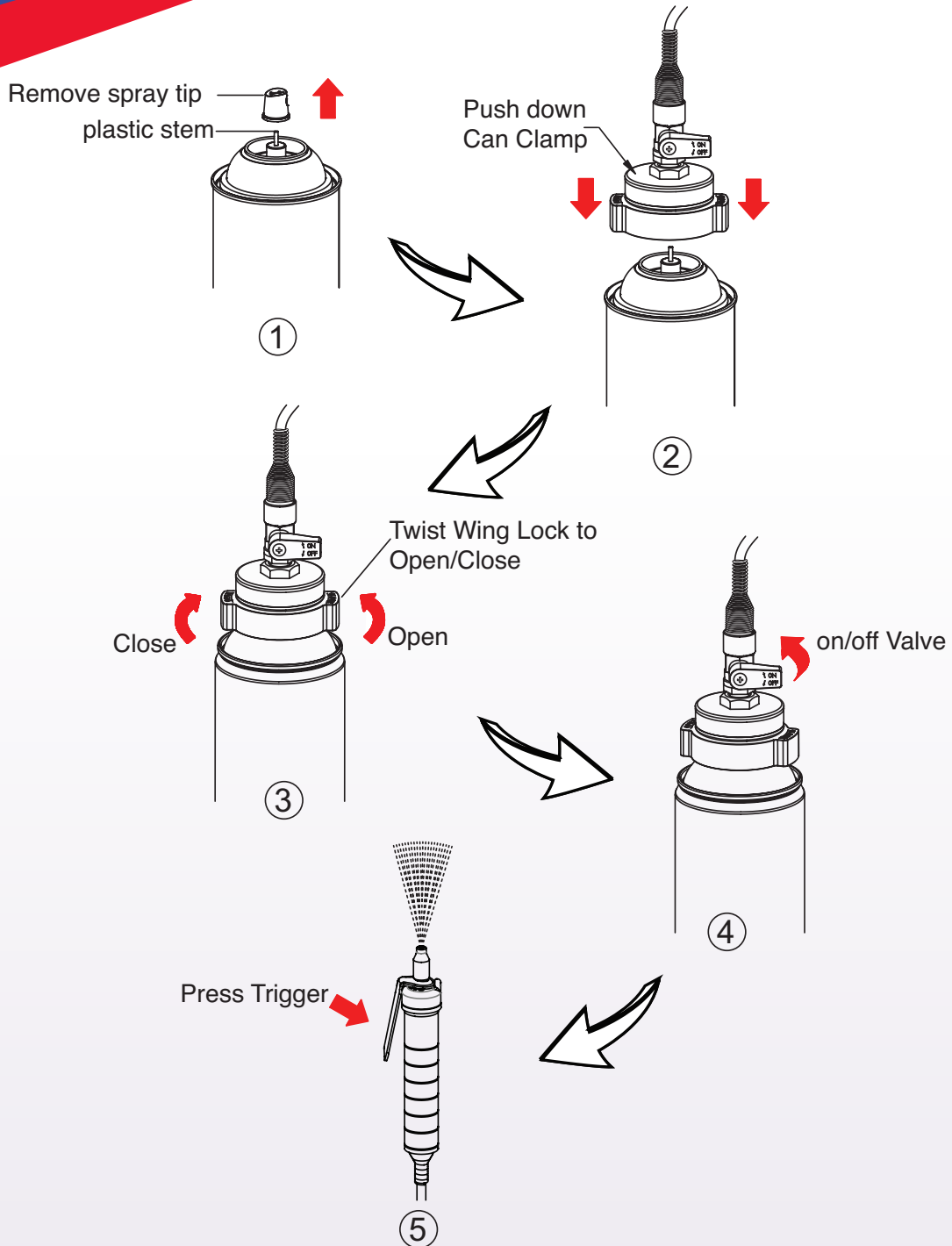
AIROFOG USA is not liable for damages that has occurred due to improper use/repair/maintenance, the use of non-recommended or non OEM parts, and acceptance of damaged/broken sprayers for any reason.



Airofog USA  
15074 Aviation Loop Drive  
Brooksville, FL 34604  
USA

+1-352-593-5152  
airofog@airofogusa.com  
www.airofogusa.com

# Operation



Airofog USA  
15074 Aviation Loop Drive  
Brooksville, FL 34604  
USA

+1-352-593-5152  
airofog@airofogusa.com  
www.airofogusa.com

# Instructions

## **Connecting FADS**

1. Screw on the correct nozzle to be used
2. Aerosol can must be put on a level surface in an upright position
3. Remove the spray nozzle/ tip from the top of the aerosol can to expose the short plastic stem (fig. 1)
4. Make sure the clamp is in the open position and center the valve seat above the stem the push down firmly to insert the stem into the bottom of the can clamp assembly (fig. 2).
5. Twist clamp to secure the can clamp assembly and make sure it is fixed firmly on top of the can (fig. 3)
6. Turn the valve to the “on” position (vertical) to let the insecticide from the can fill the coiled hose (fig. 4)
7. Press the trigger to spray insecticide and release the trigger to stop the flow (fig. 5)

## **Disconnecting FADS**

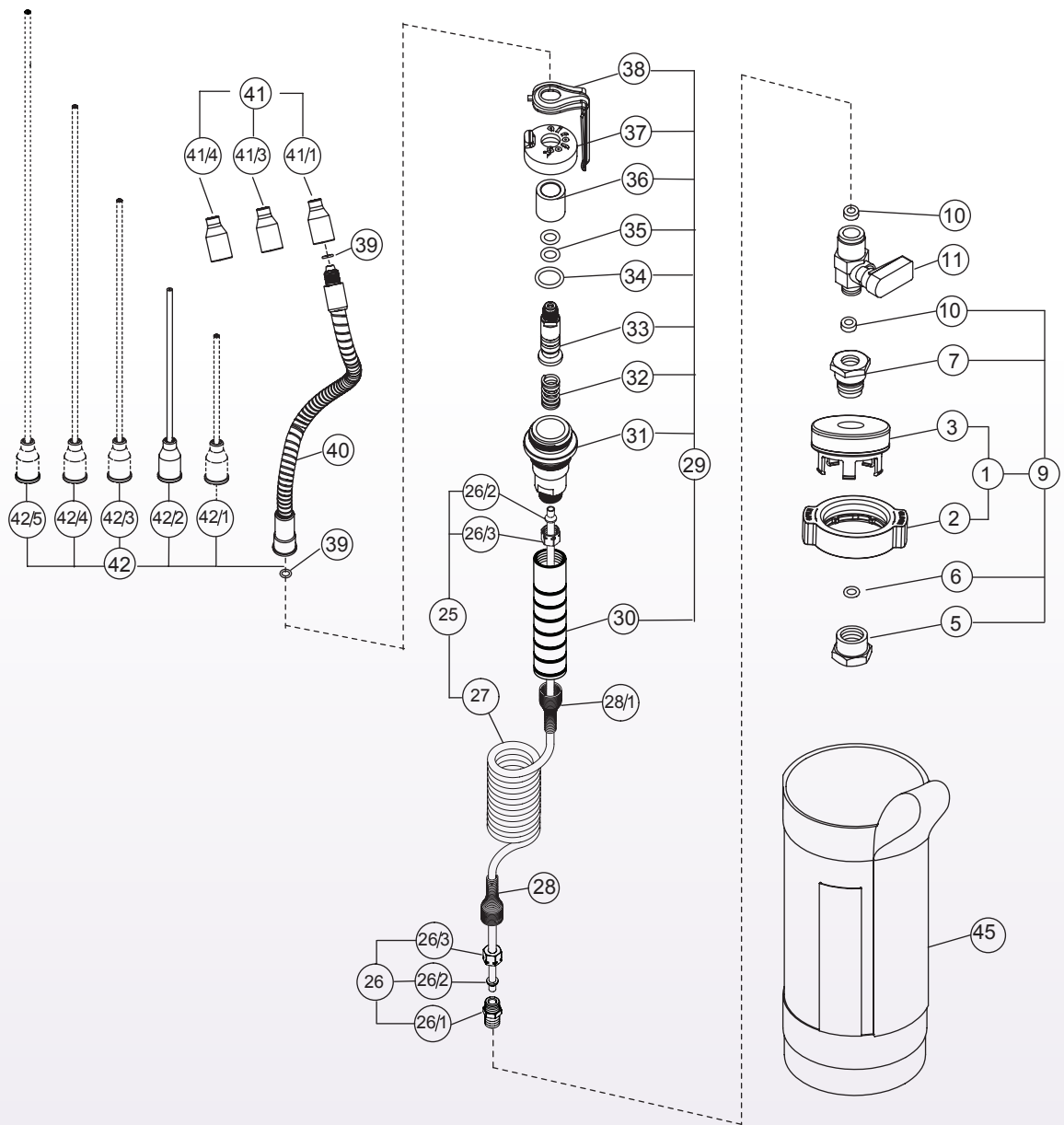
1. Turn the valve to the “off” (horizontal) position and empty the coiled hose by spraying in a safe place approved for insecticide application (fig. 4)
2. Pull up the locking ring and lift the clamp straight up from the can.



Airofog USA  
15074 Aviation Loop Drive  
Brooksville, FL 34604  
USA

+1-352-593-5152  
airofog@airofogusa.com  
www.airofogusa.com

# FADS Assembly



Airofog USA  
15074 Aviation Loop Drive  
Brooksville, FL 34604  
USA

+1-352-593-5152  
airofog@airofogusa.com  
www.airofogusa.com

# FADS Parts List

<b>Pos.</b>	<b>Part no.</b>	<b>Description</b>
1	601-001-400	Can clamp cpl.
2	601-001-410	Wing lock
3	601-001-420	Can clamp
5	601-002-410	Valve seat
6	505-009-060	Viton o-ring
7	601-002-430	Valve seat g1/8"
9	601-002-450	Can clamp assembly
10	505-002-020	Gasket
11	601-003-000	Ball valve g1/8"
25	604-025-100	Hose replacement kit (26/2x2, 26/3x2, 27)
26	601-004-010	Hose adapter assembly
26/1	601-004-011	Adapter g1/8"
26/2	601-004-012	Cutting ring
26/3	601-004-013	Retaining nut
27	601-004-130	Coiled hose; blue
28	601-004-040	Hose holder spring
28/1	603-004-040	Hose holder spring
29	601-007-000	Flexi-valve assembly (30-38)
30	601-007-010	Valve handle

## **Service kits**

601-023-010	Valve seat service kit (6, 10x2)
601-023-200	Flexi-valve service kit (34, 35x2, 39x3)

<b>Pos.</b>	<b>Part no.</b>	<b>Description</b>
31	601-007-020	Valve body
32	505-003-014	Spring
33	601-007-040	Seat
34	601-007-060	Viton o-ring
35	935-041-000	Viton o-ring
36	601-007-070	Seat sleeve
37	601-007-080	Valve cup
38	601-007-090	Trigger
39	601-007-100	Viton o-ring
40	601-008-010	Spiral wand extension
41	601-009-000	Aerosol nozzle set (41/1, 41/3, 41/4)
41/1	601-009-030	White aerosol nozzle
41/3	601-009-050	Blue aerosol nozzle
41/4	601-009-070	Red aerosol nozzle
42	601-010-000	C&C extension set (42/1, 42/1, 42/3, 42/4, 42/5)
42/1	601-010-012	C&C extension 5" (optional)
42/2	601-010-020	C&C extension 8" (optional)
42/3	601-010-030	C&C extension 12" (optional)
42/4	601-010-040	C&C extension 15" (optional)
42/5	601-010-050	C&C extension 20" (optional)
45	601-020-080	Airofog carrying pouch



Airofog USA  
15074 Aviation Loop Drive  
Brooksville, FL 34604  
USA

+1-352-593-5152  
airofog@airofogusa.com  
www.airofogusa.com