

airofog[®]
USA



771-000-110

***Sub-slab injector
Termi-tool Manual***

Safety & Maintenance

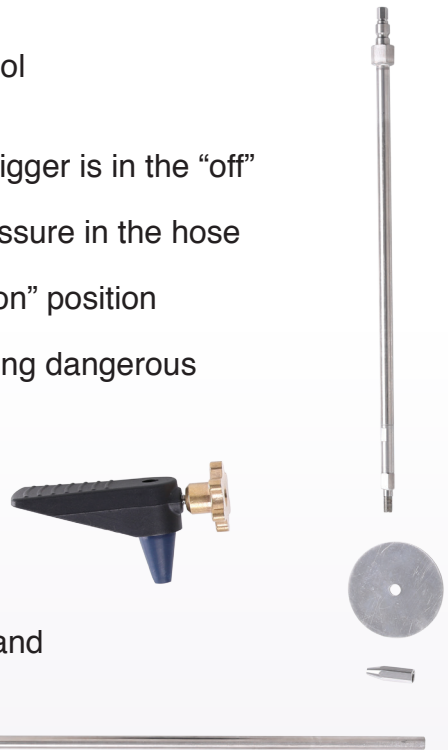
Airofog Sub-slab injector TERMI-tool referred to in this document are designed for use by qualified and experienced personnel. Please read this instruction thoroughly before usage.

Safety Instruction

- Keep out reach of children
- Before use, check condition and proper function of the Termi-tool
- Wear protective equipment as directed by the termiticide label
- Follow label instructions of termiticides
- Before connecting the tool to the supply hose, make sure the trigger is in the “off” position
- Before removing the tool, shut off the pump and relieve the pressure in the hose and tool
- Do not leave Termi-tool unattended while valve is open in the “on” position
- Always wash hands after use
- Always wear personal protective equipment (PPE) when handling dangerous substances
- Never blow through clogged nozzles or hoses with your mouth
- Always replace damaged, or malfunctioning parts

Care and Maintenance

- Flush the tips, rods, and the valve with clean water regularly
- Replace tips when you see they are worn or damaged
- Inspect all gaskets, washers, and o-rings periodically for wear and tear. Replace them as needed.



Caution



It is the operator's responsibility to ensure the safe use of the sprayer and that they're fully compliant with national or local regulations governing compression sprayer and applications of Termiticides.



AIROFOG USA is not liable for damages that has occurred due to improper use/repair/maintenance, the use of non-recommended or non OEM parts, and acceptance of damaged/broken equipment for any reason.



Airofog USA
15074 Aviation Loop Drive
Brooksville, FL 34604
USA

+1-352-593-5152
airofog@airofogusa.com
www.airofogusa.com

Operation & Troubleshoot

Ready to use

TERMI-tool is a professional and efficient tool for maximum distribution of termiticides into soil as well as under and through slabs, blocks, and concrete. TERMI-tool comes with a variety of tips for applications in different surfaces, at different angles, and different flow rates.

TERMI-tool can be used with any air tank or compressor.

Features

- Economical
- Durable
- Variable configurations for great flexibility in use
- Dual coupling size for different external attachments (e.g. flowmeter)
- Multiple stainless steel tips for wide range of application
- Dual length stainless steel pipe set with foot ram assembly
- Most effective and versatile with current termiticides

*Tip, slab 180°
1 gmp fan*



*Tip, slab 180°
2 gmp fan*



*Tip, slab 360°
1 gmp fan*



*Tip, slab 360°
2 gmp fan*



Tip, void



Airofog Guarantee

Airofog USA guarantees the TERMI-tool Sub-slab injector to be free of defects in materials and workmanship to the original purchaser for a period of one(1) year on labor and parts which are not subject to usual wear. During this period, AIROFOG USA will replace and/or repair the parts and manufacturer faults on the exclusive judgment of our technical department free of charge.

Shipping and dispatch of defect equipment will be at original purchaser's expense

Guarantee does not cover damages occurred during transport or by incorrect handling, tampering, use, or the use of non-recommended products and so on.

Under no circumstances will AIROFOG USA be liable for damages due to improper use or application.

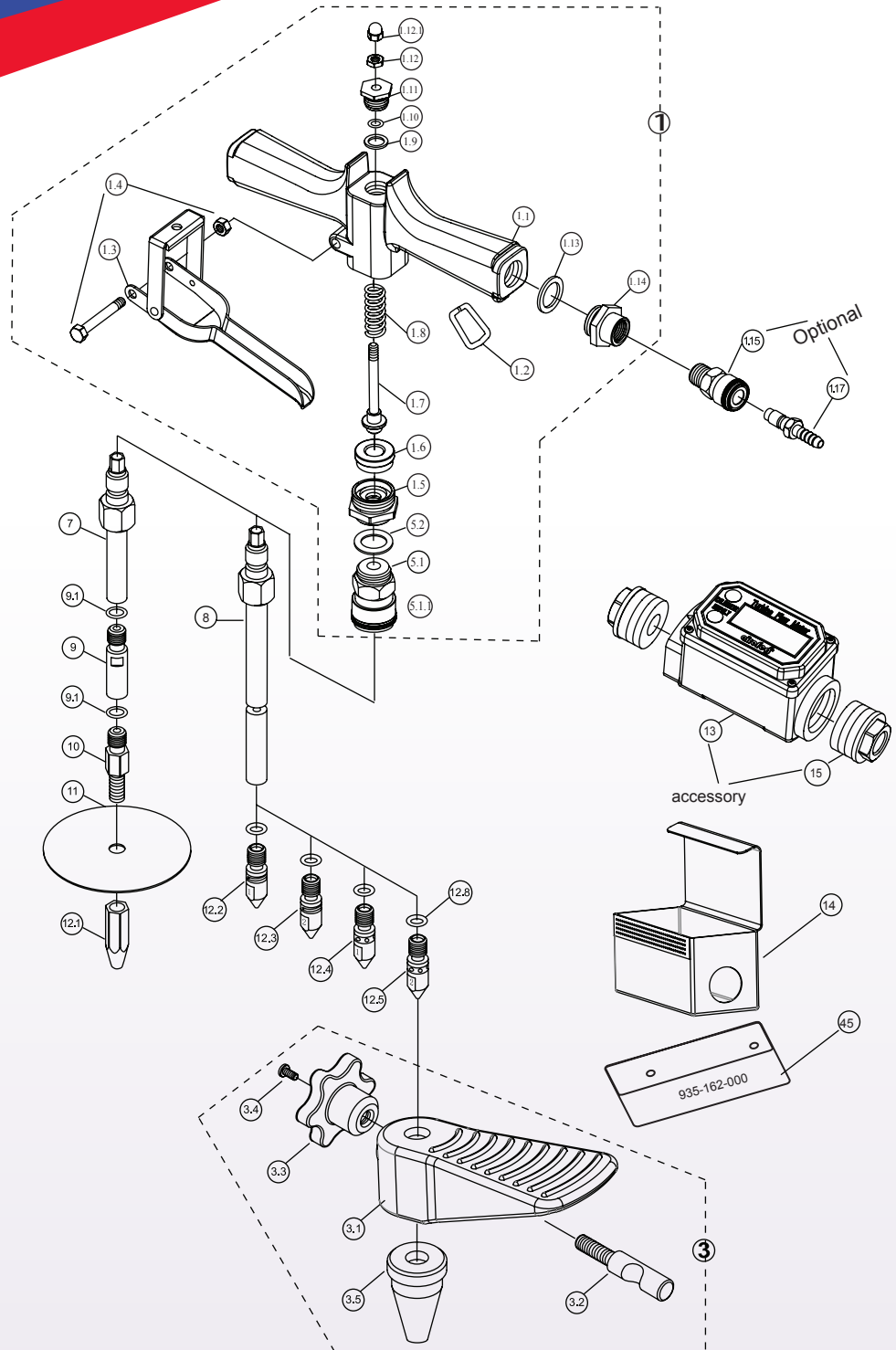
Under no circumstances will AIROFOG USA be responsible for damages to any persons or property.



Airofog USA
15074 Aviation Loop Drive
Brooksville, FL 34604
USA

+1-352-593-5152
airofog@airofogusa.com
www.airofogusa.com

TERMI-tool Assembly



Airofog USA
15074 Aviation Loop Drive
Brooksville, FL 34604
USA

+1-352-593-5152
airofog@airofogusa.com
www.airofogusa.com

TERMI-tool Parts List

Pos. Part no. Description

1	771-001-000	Valve assembly
1.1	771-001-010	Valve body
1.2	771-001-020	Ring
1.3	771-001-030	Trigger
1.4	771-001-004	Pin
1.5	771-001-050	Adapter
1.6	771-001-060	Packing
1.7	771-001-070	Shutoff stem
1.8	771-001-080	Shutoff spring
1.9	771-001-090	Gland
1.10	771-001-110	O-ring
1.11	771-001-110	Screw
1.12	771-001-120	Nut
1.12.1	771-001-121	Cap nut
1.13	771-001-130	Seal
1.14	771-001-140	Adapter
5.1	770-005-010	Quick connect socket
5.1.1	770-005-011	Quick connect o-ring
5.2	771-005-020	Gasket
3	770-003-000	Cone seal assembly

Service kits

771-006-010	Valve service kit (1.6, 1.9, 1.10, 5.1.1, 5.2)
771-006-020	Tip service kit (9.1x2, 12.8x4, 3.5)

Pos. Part no. Description

3.1	770-003-010	Foot ram
3.2	770-003-020	Bolt
3.3	770-003-030	Knob
3.4	770-003-040	Scew
3.5	770-003-050	Cone seal
7	770-007-000	Extension rod 12"
8	770-008-000	Extension rod 40"
9	770-009-000	Check valve
9.1	770-009-010	O-ring
10	770-010-000	Adapter
11	770-011-000	Anti splash guard
12.1	770-012-010	Void tip
12.2	770-012-020	180 1gpm fan tip
12.3	770-012-030	180 2gpm fan tip
12.4	770-012-040	360 1gpm six hole tip
12.5	770-012-050	360 2gpm six hole tip
12.8	770-012-080	O-ring

Optional Extras

1.15	770-001-150	Quick connect socket
1.17	770-001-170	Quick connect hose plug
13	771-013-000	Flow meter
14	771-014-000	Flow meter pouch
15	771-015-000	Adapter NPT 1"
45	953-162-000	Airofog tool bag



Airofog USA
15074 Aviation Loop Drive
Brooksville, FL 34604
USA

+1-352-593-5152
airofog@airofogusa.com
www.airofogusa.com